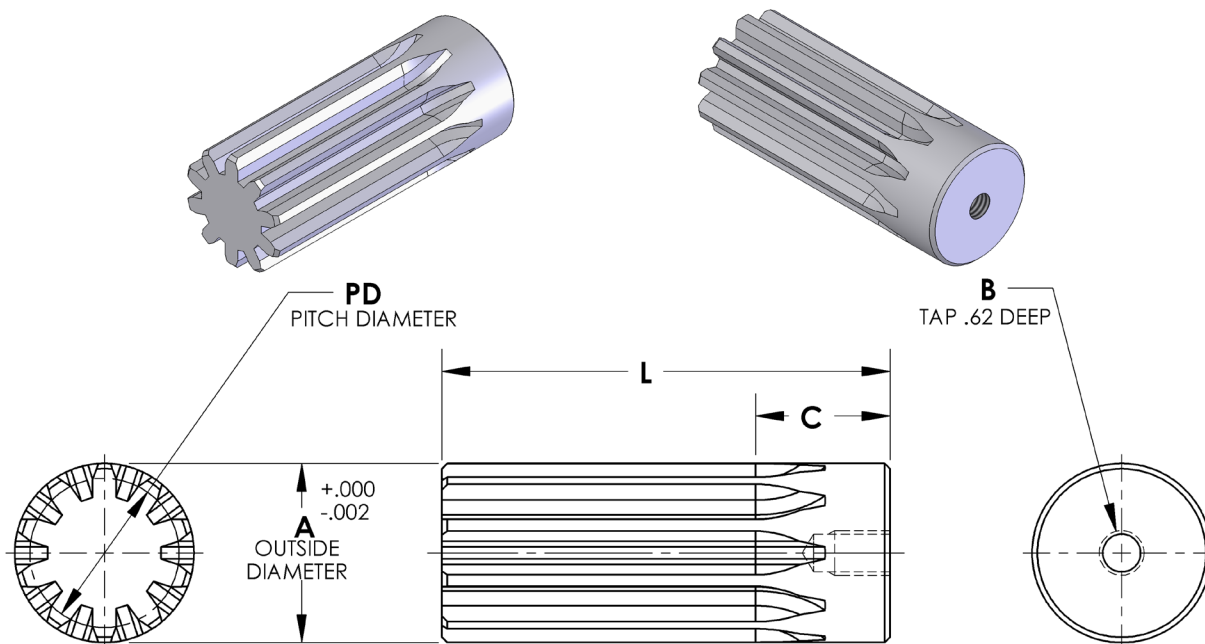




# Custom Pinions for Industrial Applications

Designers and Manufacturers of Machines • Tools • Fixtures • Test Equipment

## P100 SERIES PINIONS - PLAIN END TYPE



### P100 SERIES SPECIFICATIONS

ALL DIMENSIONS IN INCHES

PART NUMBER	A DIA.	B TAP	C DIM.	L DIM.	NUMBER OF TEETH	PITCH	PD (PITCH DIA.)
P101	1.500	3/8-16	PLEASE SPECIFY WHEN ORDERING	PLEASE SPECIFY WHEN ORDERING	10	8	1.250
P102	1.500	3/8-16			13	10	1.300
P103	1.750	3/8-16			12	8	1.500
P104	2.000	1/2-13			14	8	1.750
P105	2.000	1/2-13			10	6	1.667
P106	2.083	1/2-13			11	6/8	1.883*
P107	2.500	1/2-13			13	6	2.167
P108	2.500	1/2-13			18	8	2.250
P109	2.583	1/2-13			14	6/8	2.333*
P110	3.000	1/2-13			16	6	2.667
P111	3.583	1/2-13			26	8	3.250

\* NOTE: COMBINATION PITCHES ARE AVAILABLE ONLY IN 20 DEGREE PRESSURE ANGLE.

PART NUMBER EXAMPLE

**P101 - 2.00 - 12.00 - 14-1/2**

SERIES#

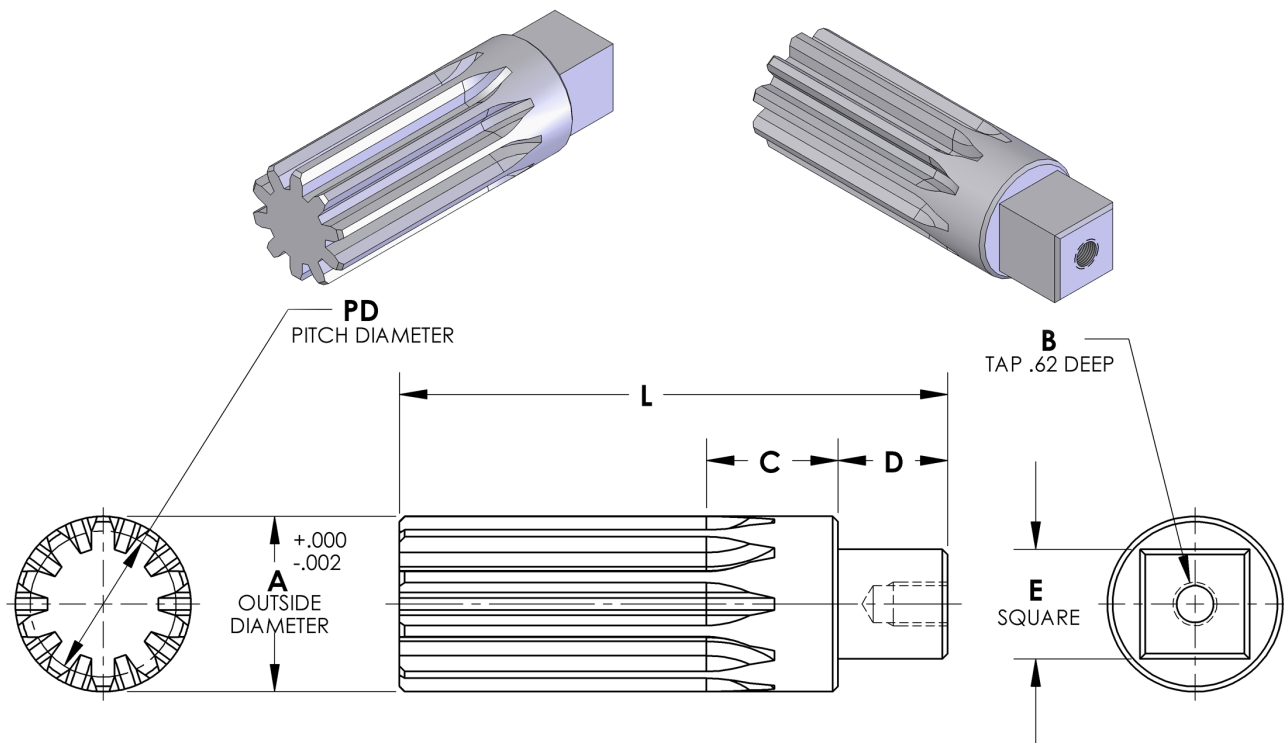
UNCUT LENGTH "C"  
(ENTER 0 FOR  
TEETH FULL LENGTH)

OVERALL LENGTH "L"

PRESSURE ANGLE \* 14-1/2 OR 20

STANDARD MATERIAL 4140  
ROCKWELL "C" 28 - 30

# P200 SERIES PINIONS - SQUARE END TYPE



## P200 SERIES SPECIFICATIONS

ALL DIMENSIONS IN INCHES

PART NUMBER	A DIA.	B TAP	C DIM.	D DIM.	E DIM.	L DIM.	NUMBER OF TEETH	PITCH	PD (PITCH DIA.)
P201	1.500	3/8-16	PLEASE SPECIFY WHEN ORDERING	1.00	1.00	PLEASE SPECIFY WHEN ORDERING	10	8	1.250
P202	1.500	3/8-16		1.00	1.00		13	10	1.300
P203	1.750	3/8-16		1.25	1.25		12	8	1.500
P204	2.000	1/2-13		1.25	1.25		14	8	1.750
P205	2.000	1/2-13		1.25	1.25		10	6	1.667
P206	2.083	1/2-13		1.25	1.25		11	6/8	1.883*
P207	2.500	1/2-13		1.75	1.75		13	6	2.167
P208	2.500	1/2-13		1.75	1.75		18	8	2.250
P209	2.583	1/2-13		1.75	1.75		14	6/8	2.333*
P210	3.000	1/2-13		2.25	2.25		16	6	2.667
P211	3.583	1/2-13		2.25	2.25		26	8	3.250

\* NOTE: COMBINATION PITCHES ARE AVAILABLE ONLY IN 20 DEGREE PRESSURE ANGLE.

PART NUMBER EXAMPLE

**P201 - 2.00 - 12.00 - 14-1/2**

SERIES#

UNCUT LENGTH "C"  
(ENTER 0 FOR  
TEETH FULL LENGTH)

OVERALL LENGTH "L"

PRESSURE ANGLE \* 14-1/2 OR 20



STANDARD MATERIAL 4140  
ROCKWELL "C" 28 - 30

ISO 9001: 2008



135 Main Street | P.O. Box 128 | Horton, MI. 49246 U.S.A.

Phone: (517) 563-8136 Fax: (517) 563-8107

sales@lomar.com | www.lomar.com

**Veteran**  
**Owned**

Automotive • Aerospace • Agriculture • Appliance • Food • Furniture • HVAC & R • Medical • Military